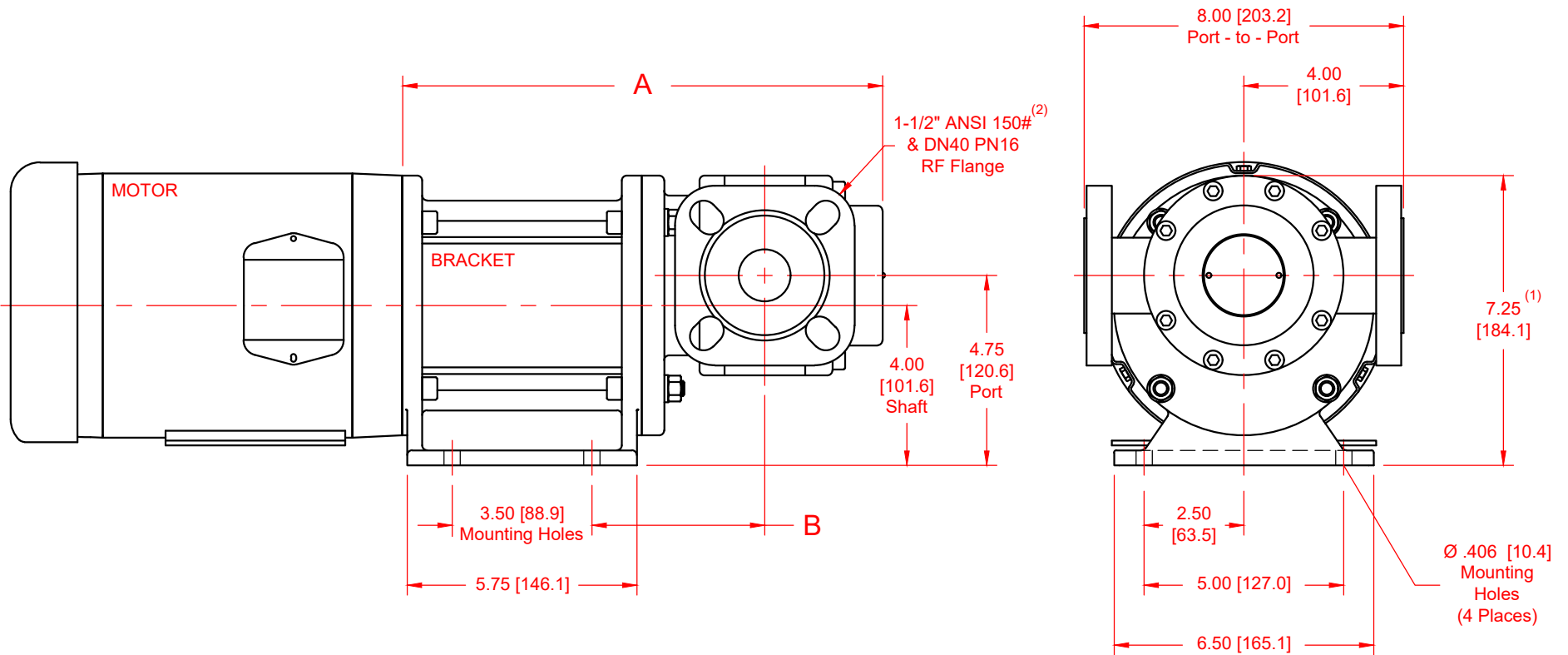


SERIES	MODEL	CONFIGURATION	SEAL TYPE
Poly-Guard	P5-P9	Mag-Drive Gear Pump Close-Coupled with RF Flanges.	Mag-Drive (Sealless)

UNITS: inches [mm]

MODEL	"A"	"B"
P5 - P7	12.03 [305.6]	4.33 [110.0]
P8 - P9	13.28 [337.3]	4.96 [125.9]



NOTES:

- 1) Dimension to top of Bracket.
- 2) Universal flanges (earlier design for Models P5-P9 used ANSI 150# or DIN PN16 flanges).